

DESCRIPTION

AMC MODEL SW-1182-4D-TRW1-A04 IS A REFLECTIVE BROAD BAND SINGLE POLE FOUR THROW SWITCH MODULE WITH INTEGRAL TTL DRIVER DESIGNED TO OPERATE OVER THE FULL 0.1 TO 18 GHz FREQUENCY RANGE.

SPECIFICATIONS

- FREQUENCY RANGE: 0.1 TO 18 GHz
- INSERTION LOSS: 2.6 dB MAXIMUM
- ISOLATION: 65 dB MINIMUM
- VSWR: 2.0:1
- RISE TIME: 20 nSec MAXIMUM
- FALL TIME: 20 nSec MAXIMUM
- DELAY ON: 50 nSec MAXIMUM
- DELAY OFF: 50 nSec MAXIMUM
- RF POWER RATING: 1W CW, 75W PEAK (1uSec, PW MAXIMUM)
- CONTROL: TTL, LOW POWER SCHOTTKY, (UNITY LOAD)
(SEE TRUTH TABLE)
TTL LOGIC "0" = INSERTION LOSS
TTL LOGIC "1" = ISOLATION
- POWER SUPPLY: +5V ±5% @ 150 mA MAXIMUM
-15V ±5% @ 50 mA MAXIMUM
- CONNECTORS:
RF INPUT/OUTPUT: SMA FEMALE
POWER: SOLDER PIN
CONTROL: SOLDER PIN
- SIZE: 1.25" (L) x 1.25" (W) x 0.88" (H)

OPTIONS:

- A04: EXTENDED FREQUENCY RANGE TO 100 MHz

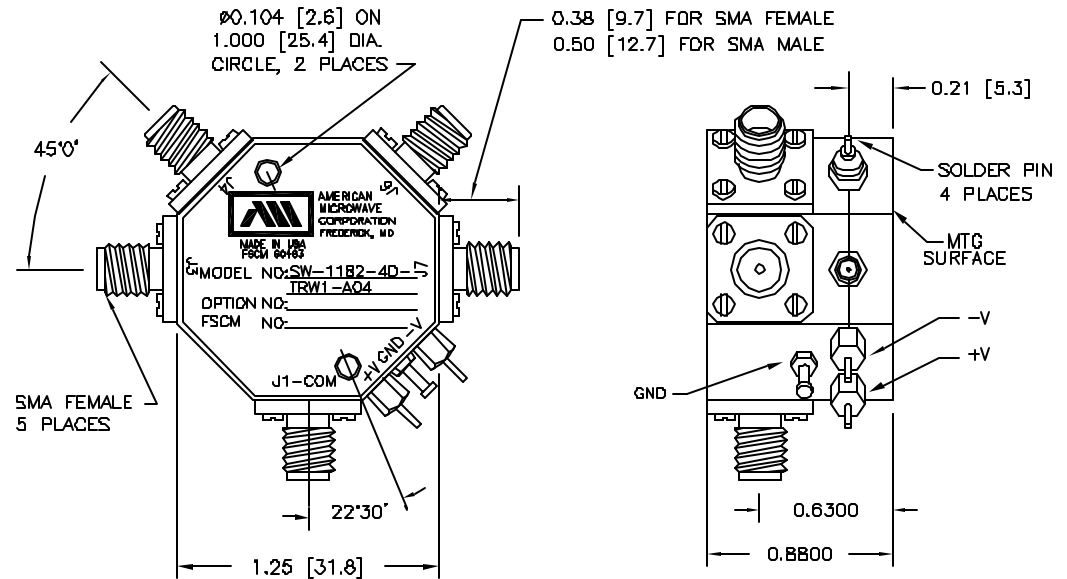
ENVIRONMENTAL RATINGS:

- TEMPERATURE: -65°C TO +110°C (OPERATING)
-65°C TO +125°C (STORAGE)
- HUMIDITY: MIL-STD-202F, METHOD 103B COND. B
- SHOCK: MIL-STD-202F, METHOD 213B COND. B
- VIBRATION: MIL-STD-202F, METHOD 204D COND. B
- ALTITUDE: MIL-STD-202F, METHOD 105C COND. B
- TEMPERATURE CYCLE: MIL-STD-202F, METHOD 107D COND. A

NOTE: SPECIFICATIONS WILL VARY OVER OPERATING TEMPERATURE
NOTE: THE ABOVE SPECIFICATIONS ARE SUBJECT TO CHANGE OR REVISION

ALL DIMENSIONS ARE IN INCHES
TOLERANCES:
XXX ±0.020
XXX ±0.010

REVISIONS				
ZONE	REV.	DESCRIPTION	DATE	APPROVED
	-	ORIGINAL RELEASE JOB# 508204	9/9/05	



E7	E6	E4	E3	RF PATH ON
1	1	1	0	J1-J3
1	1	0	1	J1-J4
1	0	1	1	J1-J6
0	1	1	1	J1-J7

AMERICAN MICROWAVE CORPORATION

7311-G GROVE ROAD
FREDERICK, MARYLAND 21704 USA
TEL: 301-662-4700 FAX: 301-662-4938
WEBSITE: www.americanmicrowavecorp.com
E-MAIL: sales@americanmicrowavecorp.com
ISO 9001:2000 CERTIFIED

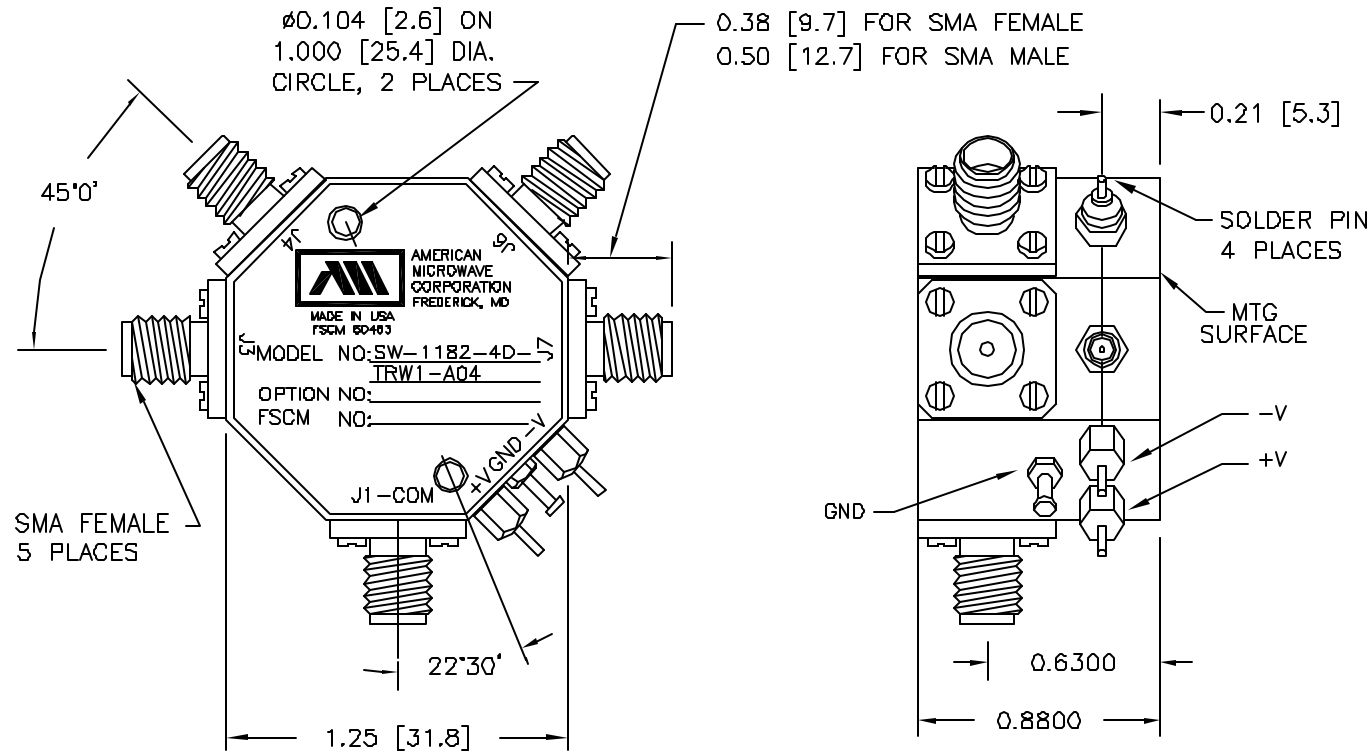


APPROVALS		DATE	TITLE		REV.
DRAWN	<i>FDJ</i>	9/9/05	PRODUCT FEATURE		
CHECKED			SW-1182-4D-TRW1-A04		
ISSUED			0.1-18 GHz, SINGLE POLE FOUR THROW SWITCH		
			SIZE	FSCM NO.	DWG NO.
			A	60483	100-7490
			SCALE	N:S	SHEET 1 OF 4

DESCRIPTION

AMC MODEL SW-1182-4D-TRW1-A04 IS A REFLECTIVE BROAD BAND SINGLE POLE FOUR THROW SWITCH MODULE WITH INTEGRAL TTL DRIVER DESIGNED TO OPERATE OVER THE FULL 0.1 TO 18 GHz FREQUENCY RANGE.

REVISIONS				
ZONE	REV.	DESCRIPTION	DATE	APPROVED
	-	ORIGINAL RELEASE JOB# 508204	9/9/05	



MECHANICAL OUTLINE

TRUTH TABLE				
E7	E6	E4	E3	RF PATH ON
1	1	1	0	J1-J3
1	1	0	1	J1-J4
1	0	1	1	J1-J6
0	1	1	1	J1-J7

ALL DIMENSIONS ARE IN INCHES
TOLERANCES:
X.XX ±0.020
X.XXX ±0.010

AMERICAN MICROWAVE CORPORATION

7311-G GROVE ROAD
FREDERICK, MARYLAND 21704 USA
TEL: 301-662-4700 FAX: 301-662-4938
WEBSITE: www.americanmicrowavecorp.com
E-MAIL: sales@americanmicrowavecorp.com
ISO 9001:2000 CERTIFIED



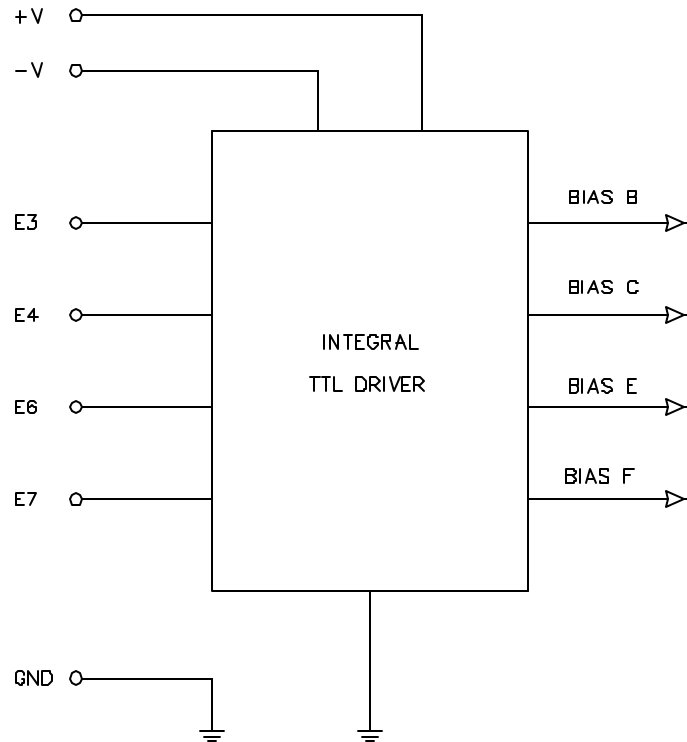
APPROVALS		DATE	TITLE			
DRAWN	<i>FDS</i>	9/9/05	MECHANICAL OUTLINE			
CHECKED			SW-1182-4D-TRW1-A04			
ISSUED			0.1-18 GHz, SINGLE POLE FOUR THROW SWITCH			
			SIZE	FSCM NO.	DWG NO.	REV.
			A	60483	100-7490	-
			SCALE	N:S	SHEET	2 OF 4

DESCRIPTION

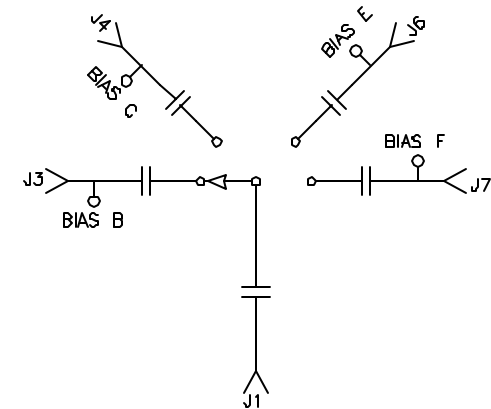
AMC MODEL SW-1182-4D-TRW1-A04 IS A REFLECTIVE BROAD BAND SINGLE POLE FOUR THROW SWITCH MODULE WITH INTEGRAL TTL DRIVER DESIGNED TO OPERATE OVER THE FULL 0.1 TO 18 GHz FREQUENCY RANGE.

REVISIONS				
ZONE	REV.	DESCRIPTION	DATE	APPROVED
	-	ORIGINAL RELEASE JOB# 508204	9/9/05	

FUNCTIONAL BLOCK DIAGRAM



BLOCK DIAGRAM



AMERICAN MICROWAVE CORPORATION

7311-G GROVE ROAD
 FREDERICK, MARYLAND 21704 USA
 TEL: 301-662-4700 FAX: 301-662-4938
 WEBSITE: www.americanmicrowavecorp.com
 E-MAIL: sales@americanmicrowavecorp.com
 ISO 9001:2000 CERTIFIED



APPROVALS		DATE	TITLE	
DRAWN		9/9/05	FUNCTIONAL BLOCK DIAGRAM	
CHECKED			SW-1182-4D-TRW1-A04	
ISSUED			0.1-18 GHz, SINGLE POLE FOUR THROW SWITCH	
SCALE	N:S	SIZE	FIG. NO.	DWG. NO.
		A	60483	100-7490
			SHEET	3 OF 4